

**Piezo Transducer (Self Drive)**

**Model: XPTF4216E-28W**

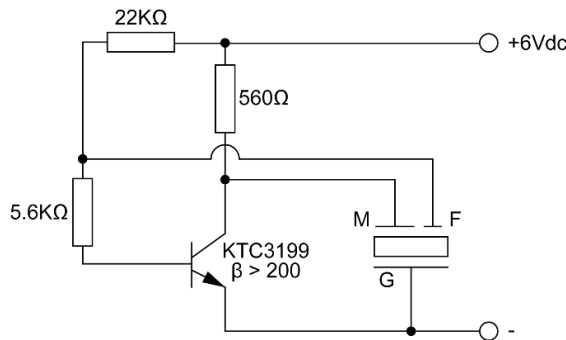


**ELECTRICAL SPECIFICATIONS**

	Condition	Parameter	Unit
Operating Voltage		3 ~ 24	Vdc
Rated Voltage		12	Vdc
Rated Current	at rated voltage, resonant freq.	Max. 15	mA
Resonant Frequency		2800	Hz
Sound Pressure Level	at 30cm, rated voltage, resonant freq.	Min. 85	dBA
Tone Nature		Single	
Terminal		Wire	
Operating Temperature		-20 ~ +60	°C
Housing Material		PBT	
Weight		12	g

Notes: Parameter applying at recommend driving circuit.

**RECOMMENDED DRIVING CIRCUIT**



**MECHANICAL DRAWING**

Dimensions in mm

Wire: UL1571 28AWG

Tolerance ±0.5mm Except Specified

